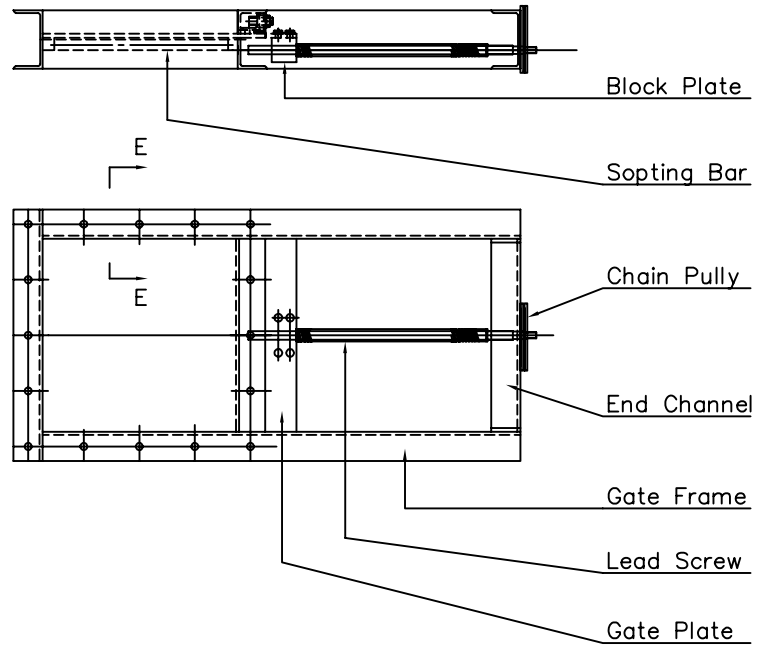


SECTION E-E

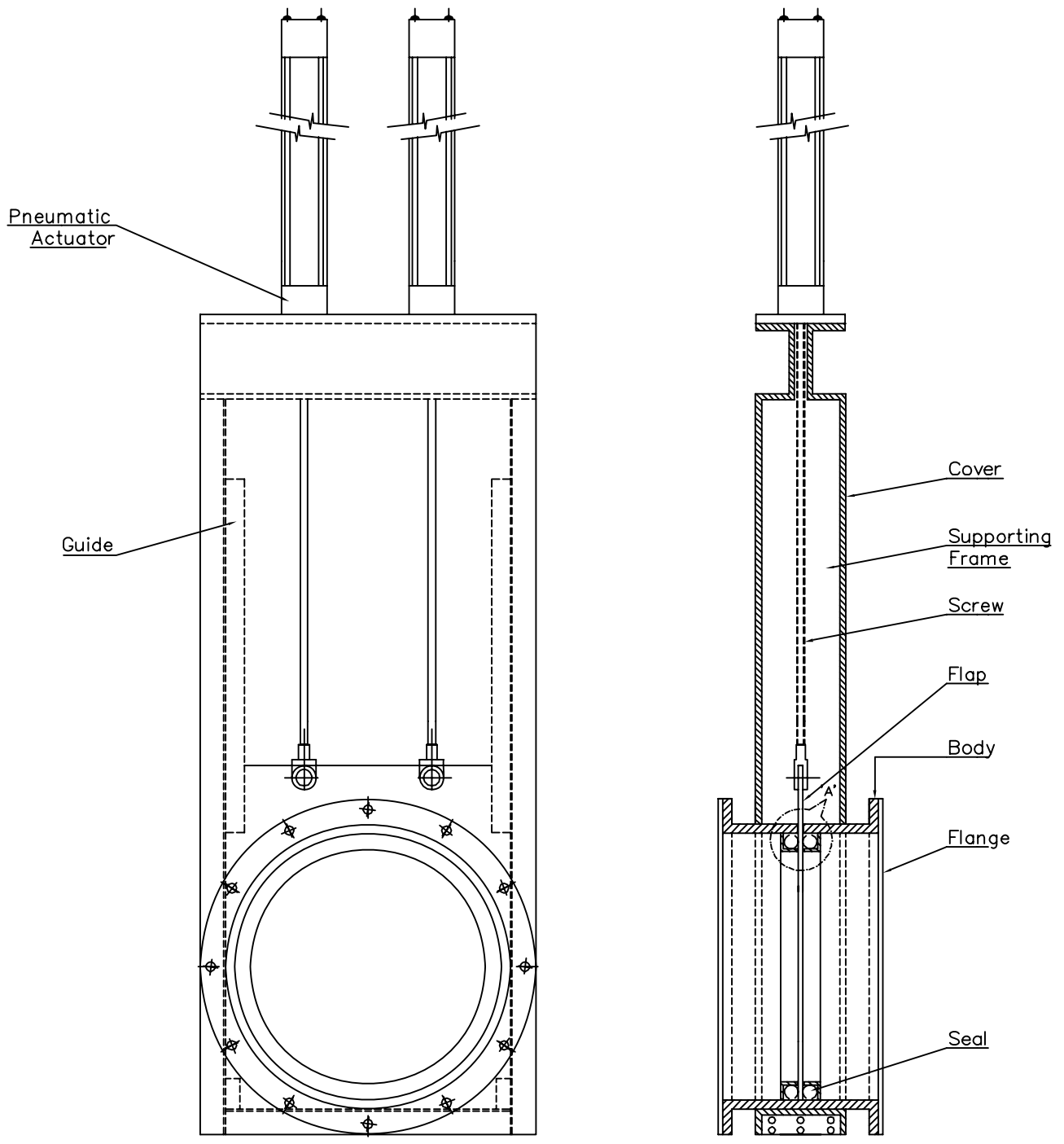


TITLE: G. A. DRAWING FOR SLIDE GATE



marsh automation pvt. ltd.

98A/25A, Hadapsar Industrial Estate,
Pune - 411 013. (INDIA)



TITLE: G. A. DRAWING FOR GUILLOTINE DAMPER



marsh automation pvt. ltd.

98A/25A, Hadapsar Industrial Estate,
Pune - 411 013. (INDIA)